

# Instructions for installing 10 and 25 watt, 24 Vdc power

## **⚠ WARNING!**

**HAZARD OF BURN OR ELECTRICAL SHOCK. TO AVOID SHOCK HAZARD, DISCONNECT ALL POWER BEFORE ANY FUNCTIONS ARE PERFORMED ON THIS EQUIPMENT.**

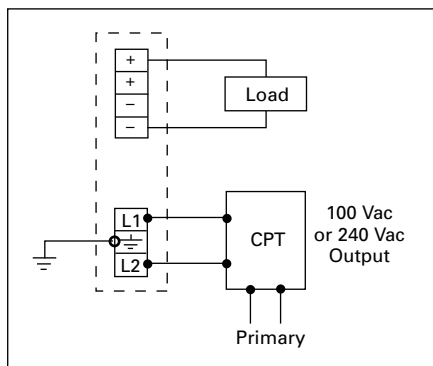
## **⚠ AVERTISSEMENT!**

**RISQUE DE BRULURE OU DE CHOC ELECTRIQUE. POUR EVITER TOUT CHOC ELECTRIQUE, COUPER L'ALIMENTATION DE CET EQUIPEMENT AVANT D'Y EFFECTUER DES TRAVAUX.**

## Installation

The PSS10X and PSS25X Power Supplies can be DIN rail or panel mounted. The unit is designed to reach a crow-bar current and safely shut itself down when a secondary side short circuit is encountered. The unit will recover automatically when the short circuit is removed.

**Note:** When wiring the system, ensure all power is removed before beginning the installation.

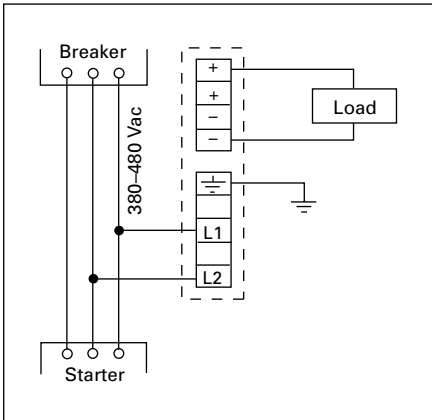


**Figure 1.**

## Input wiring requirements

The PSS10E and PSS25E are single-phase input units. They have a wide ranging input from 100–240 Vac. Both can be wired with the (L1) terminal to line voltage. The (L2) line should be wired to Neutral and the center terminal wired to the Ground. See **Figure 1**.

The PSS10F and PSS25F are 380–480 Vac single-phase input power supplies. The units should be wired to the line voltage. The top terminals are wired to the Ground. See **Figure 2**.



**Figure 2.**

**Output wiring requirements**

All units have two output connections (two +, two -) for ease of wiring. The two outputs are tied together and are not electrically isolated.

The power supplies are not designed to operate in parallel and no provisions have been made for load sharing.

**Table 1.**

Output Specifications	Catalog Number			
	PSS10E	PSS10F	PSS25E	PSS25F
Output voltage nominal	24 Vdc	24 Vdc	24 Vdc	24 Vdc
Voltage regulation	±10%	±10%	±10%	±10%
Steady-state wattage	10W	10W	25W	25W
Outrush wattage (nominal)	20W	20W	165W	165W
Outrush holdup time (msecs)				

**Eaton Corporation**  
 Electrical Sector  
 1111 Superior Ave.  
 Cleveland, OH 44114  
 United States  
 877-ETN-CARE (877-386-2273)  
 Eaton.com



PowerChain Management is a registered trademark of Eaton Corporation.

All other trademarks are property of their respective owners.